



## INSTRUCTIONS

### TCI® 4x Four-Speed™ Auto Transmission, Non-electronic 700R4

Part #'s (371700P1, 371700P2, 371800P1, 371800P2)

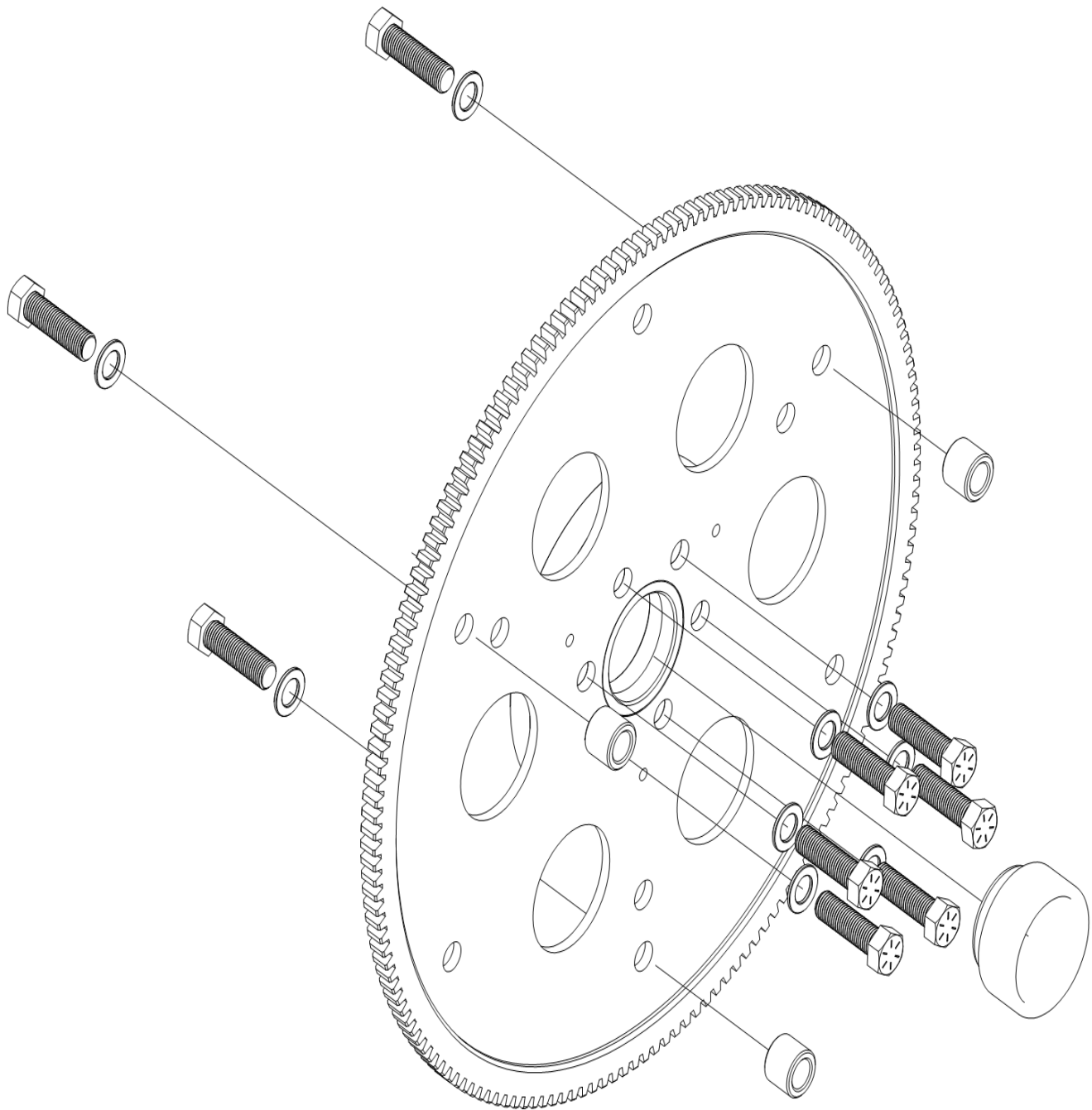
Thank you for choosing TCI® products; we are proud to be your manufacturer of choice. Please read this instruction sheet carefully before beginning installation, and also take a moment to review the included limited warranty information. Contact us toll free at 1.888.776.9824 or at [www.tciauto.com](http://www.tciauto.com) under Tech Support with any questions.



#### This Kit Contains:

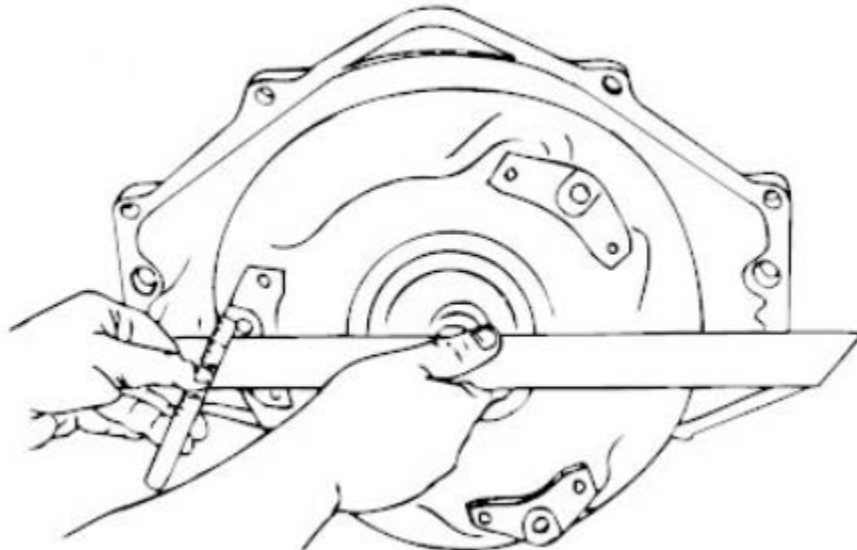
- 4x Four-Speed™ Transmission
- Adapter Flexplate
- Pilot Adapter
- Torque Converter Bolts - 3
- Torque Converter Washers - 3
- Spacers - 3 (BE SURE TO FOLLOW INSTALLATION INSTRUCTIONS, OR ELSE YOUR TRANSMISSION WILL BE DAMAGED)
- Flexplate Bolts - 6
- Flexplate Washer - 6
- Max Shift™ Transmission Fluid - 3 Gallons
- Transmission Cooler
- Universal Dipstick

\*These transmissions currently only hold 10 inch torque converters or less.

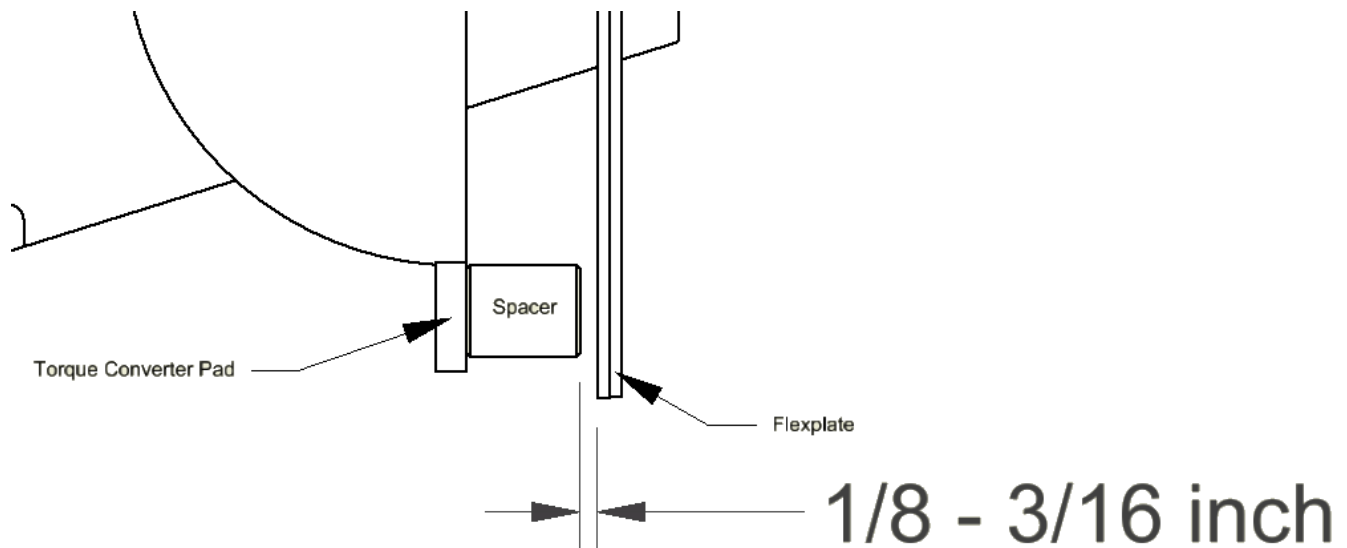


## INSTALLATION

1. If your engine's crankshaft has a pilot bearing or bushing, remove it at this time.
2. Clean crankshaft pilot with emery.
3. Install flexplate, and torque flexplate bolts to engine manufacturer spec.
4. Install pilot adapter to crankshaft pilot. The adapter is a tight fit; lightly tap it in to place until flush with crankshaft. Be careful not to ding the adapter, as doing so could prevent the converter from sliding into position. It is recommended to use a rubber or plastic hammer. To help the adapter go in straight, use a 2x4 or some other softer material to ensure that it is pressed in evenly.
5. Install torque converter to transmission per torque converter installation instructions. Measure the transmission bellhousing to torque converter pad distance. With these adapter kits, the distance should measure about **1.75 inches**. These bellhousings are deeper than OE transmission bellhousings.



6. Install transmission to engine as normal. Torque transmission mount bolts to OE spec.
7. With the torque converter pushed all the way back, hold supplied flexplate spacer between torque converter pad and flexplate. There must be a **1/8 to 3/16 inch** space between the supplied spacer, and the torque converter pad. Failure to check this gap could result in transmission and torque converter failure. Some kits use large spacers like the ones pictured, other kits may simply use a washer. It is very important that you verify the **1/8 to 3/16** measurement with the spacer yourself. If the dimensions is not quite in spec during your installation, you may either add shims, subtract shims, or simply trim some of the supplied spacer in order to get the spec within the window.



8. Bolt torque converter to flexplate **WITH SPACERS INSTALLED BETWEEN FLEXPLATE AND TORQUE CONVERTER**. Apply locking compound to the threads and torque bolts to **58 ft-lbs**.
9. Continue to follow the other transmission installation instructions as normal.

## FAQ

**Q:** Must I put a spacer between the torque converter and the flexplate? The internet told me not to do this.

**A:** YES. These kits require a spacer in order to get the correct torque converter pullout/spacing.

**Q:** My pilot adapter does not fit right. Is there a problem?

**A:** NO. The pilot adapter is designed to be a slight press fit. If the pilot adapter appears to be far too big, measure your crankshaft pilot, and measure the pilot adapter with a caliper, and call our tech line.

### Social Media

Stay up-to-date with the latest TCI® and COMP Performance Group™ company and product information by following us on any of our social media platforms.



### **Limited Warranty**

TCI® Automotive warrants that all of its products are free from defects in material and workmanship for a period of (1) one year from the date of purchase. This limited warranty shall cover the original purchaser.

TCI® Automotive's obligation under this warranty is limited to the repair or replacement of its product. To make a warranty claim, the part must be returned within (1) one year of purchase to the address listed below, freight prepaid. Items covered under warranty will be returned to you freight collect. It is the responsibility of the installer to ensure that all of the components are correct before installation. We assume no liability for any errors made in tolerances, component selection or installation.

**There is absolutely no warranty on the following:**

- Any parts used in racing applications.
- Any product that has been physically altered, improperly installed or maintained.
- Any product used in improper applications, abused or not used in conjunction with the proper parts.
- Damage due to excessive manifold pressure, e.g. nitrous backfires, engine misfire, etc.

**There are no implied warranties of merchantability or fitness for a particular purpose.** There are no warranties which extend beyond the description of the face hereof. TCI® Automotive will not be responsible for incidental and consequential damages, property damage or personal injury damages to the extent permitted by law. Where required by law, implied warranties or merchantability and fitness are limited to a term of 1 year from the date of original purchase.

This warranty gives you specific legal rights and you may also have other legal rights, which vary from state to state.

#### **CALIFORNIA PROPOSITION 65 WARNING**

This product may contain one or more substances or chemicals known to the state of California to cause cancer, birth defects or other reproductive harm.

