

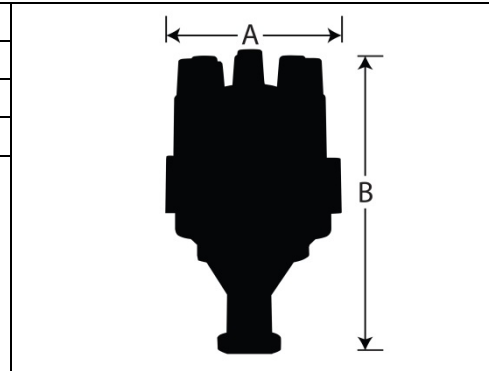


INSTRUCTIONS

#305007 (Ford 302), #305009 (Ford 351W) & #305016 (Pontiac) XFI™ Dual Sync Distributor

Thank you for choosing FAST™ products; we are proud to be your manufacturer of choice. Please read this instruction sheet carefully before beginning installation, and also take a moment to review the included limited warranty information.

Description	Dim A	Dim B	Gear I.D.
Ford 302	5"	7.77"	0.467"
Ford 351W	5"	8.60"	0.5"
Pontiac	5"	8.39"	0.5"



Revision Identification: (CLASSIC) wire colors –RED-BLACK-YELLOW-BROWN
(NEW) wire colors –RED-BLACK-WHITE-BLACK w/white stripe.

Installation Instructions:

Two ignition strategies to choose from:

- A. **One** degree reference angle
 - The simplest method to set up your XFI™ distributor
 - Allows you to phase the distributor at TDC (top dead center) so you only need a TDC mark on your balancer
 - You cannot activate the individual cylinder control feature when using the one degree reference angle.
- B. **50** degree reference angle
 - Most accurate method for timing control
 - Supports individual cylinder control
 - Requires a 50 degree mark on balancer

Warning! Before beginning installation, disconnect the negative cable from battery.



FAST™
3400 Democrat Rd.
Memphis, TN 38118
Phone: (901) 260-3278 Fax: (901) 375-3408
www.fuelairspark.com

Part #FAST4-116
Revised 1/14/2014

Wiring Instructions:

- A. The 8 pin connector on the distributor harness will plug directly into the “Cam/Hall Effect” connector on the XFI™ Main Harness.



- B. The red wire coming from the distributor needs to be connected to a 12V ignition source. The wire labeled “12V HE” in the XFI™ Main Harness is a convenient source for this. Remember to connect the opposite end of the “12V HE” wire to a 12V source that is hot with the key in the Run position and during cranking.

Wire Functions

- Red Wire: 12v +
- (Classic) Yellow Wire: (New) Black w/ white stripe Cam Signal
- (Classic) Brown Wire: (New) White Crank Signal
- Black Wire: Signal Ground

Distributor Cap

The #1 plug wire terminal is marked with a band. Be sure to connect the #1 plug wire to this terminal.

Cam and Crank LEDs: There are two LED lights at the base of the module in the distributor. They are powered through the red wire. The cam LED illuminates once per revolution and the crank LED illuminates 8 times per revolution. On the (Classic) model the LED's are both red. On the (New) model the cam LED is green and the crank LED is red.



One degree reference angle installation instructions:

Warning! Make sure that the negative coil wire is disconnected from the ignition coil until you are ready to start the engine. Failure to disconnect the negative coil wire could result in electric shock and/or permanent damage to the distributor module not covered by the warranty.

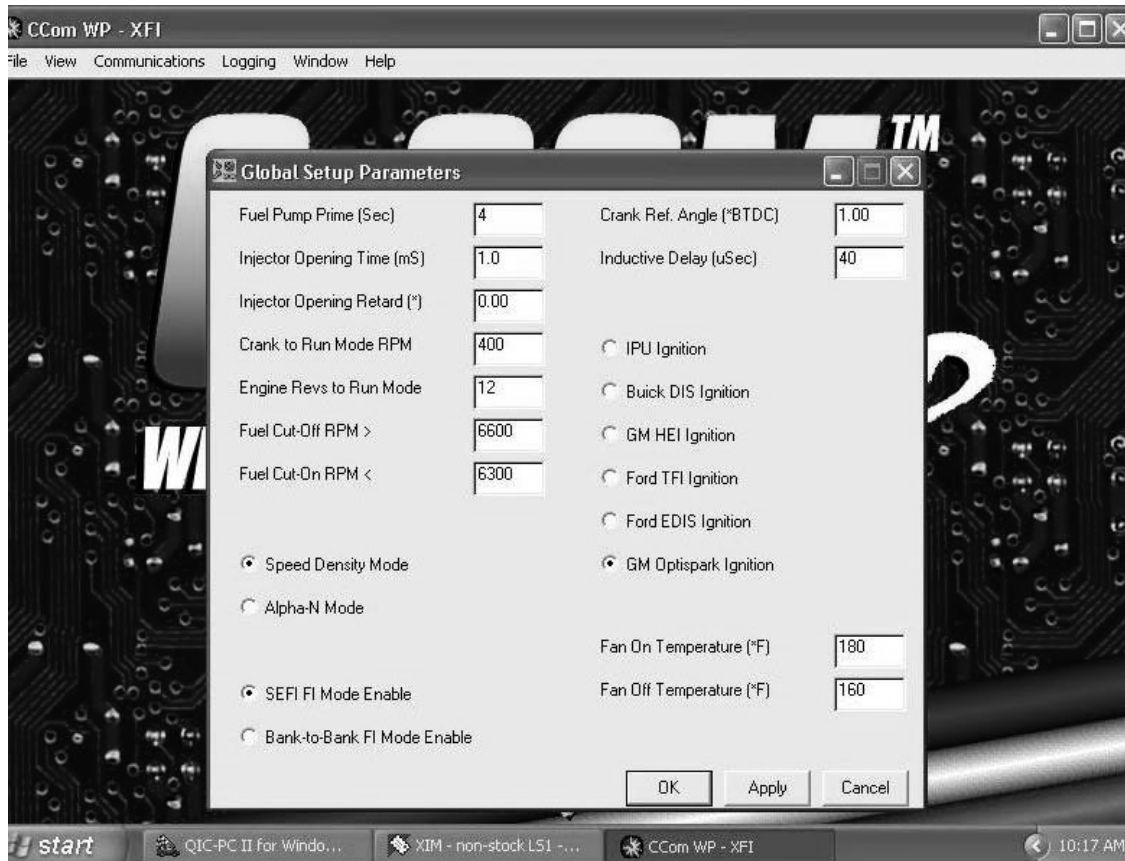
1. Remove rotor to verify that module is mounted in the one degree position. If not, remove two module mounting screws, and shift the module to the one degree position, replace rotor.
2. Rotate engine to TDC on the compression stroke.
3. Disconnect the negative coil (coil trigger) wire.
4. Reconnect the negative battery cable.
5. Install distributor with the rotor pointing toward the rear of the engine.
6. With the red wire connected to 12V, the ignition key in the run position, and the “Cam/Hall Effect” plug connected, rotate the base of the distributor clockwise until the cam LED illuminates, then continue clockwise until the next crank signal (crank LED illuminates).
7. Move the base of the distributor back and forth until you find the leading edge of that crank signal, lock down the distributor and you’re finished!

The distributor is now timed and phased properly for a one degree reference angle! Connect all spark plug and coil wires before cranking the engine!



One degree ignition strategy setup parameters:

8. Open C-Com XFI™ software.
9. Establish communications with the XFI™ ECU or select the GCT file you will be using.
10. Click on View, then System Configuration, then Operational Parameters.
11. Click on the button next to “GM Optispark Ignition”.
12. In the box next to “Reference Angle” type “1”
13. You are now ready to run in Sequential mode.



Note: As with any distributor installation, use a high-quality timing light to verify ignition timing matches the timing advance commanded by the XFI™. If necessary, make slight adjustments with the distributor to correct this.

Note: Be sure to verify that the distributor gear you are using is compatible with your cam gear. You can purchase the revolutionary COMP Cams® composite distributor gears and bronze distributor gears from FAST™

Bronze Gear – Part #431, Part #438*†
Composite Gear – Part #35200

Fifty degree reference angle installation instructions:

Warning! Make sure that the negative coil wire is disconnected from the ignition coil until you are ready to start the engine. Failure to disconnect the negative coil wire could result in electric shock and/or permanent damage to the distributor module not covered by the warranty.

1. Remove rotor to verify that module is mounted in the 50 degree position, if not, remove two module mounting screws, and shift the module to the 50 degree position, replace rotor.
2. Rotate engine to 50 degrees BTDC on the compression stroke.
3. Disconnect the negative coil (coil trigger) wire.
4. Reconnect the negative battery cable.
5. Install distributor with the rotor pointing toward the rear of the engine.

* Bronze Gear Part #438 is recommended for the Ford 302 and Ford 351W

† The distributor shaft will need to be drilled out for the larger drive pin on Part #438

6. With the red wire connected to 12V, the ignition key in the run position, and the “Cam/Hall Effect” plug connected, rotate the base of the distributor clockwise until the cam LED illuminates, then continue clockwise until the next crank signal (crank LED illuminates).
7. Move the base of the distributor back and forth until you find the leading edge of that crank signal, lock down the distributor and you’re finished.

The distributor is now timed and phased properly for a fifty degree reference angle! Connect all spark plug and coil wires before cranking the engine!

Note: Formula for locating crankshaft angle: (Diameter*Pi)/360*(number of degrees you’re looking to make the mark at). For example, if you’re trying to find the 50 degree mark for a 6.820” in diameter balancer:

$$(6.820*3.1416) = 21.425712$$

$$21.425712/360 = .0595158$$

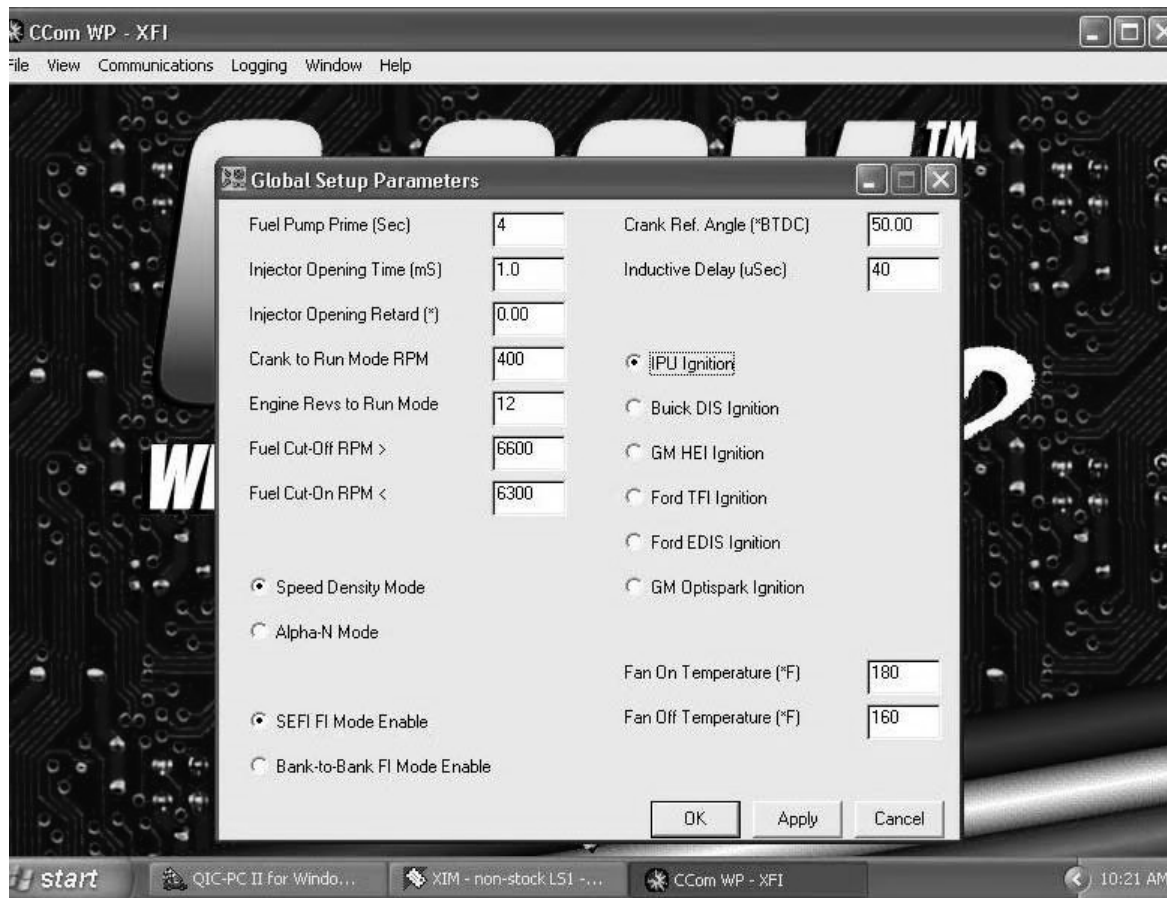
$$.0595158*50 = 2.97579$$

That means the 50 degree mark is 2.976" BTDC.



Fifty degree ignition strategy setup parameters:

8. Open C-Com XFI™ software.
9. Establish communications with the XFI™ ECU, or select the GCT file you will be using.
10. Click on View, then System Configuration, then Operational Parameters.
11. Click on the button next to “IPU Ignition”
12. In the box next to “Reference Angle” type “50”.
13. You are now ready to run in Sequential mode and take advantage of the individual cylinder control feature of the XFI™.



Note: As with any distributor installation, use a high-quality timing light to verify ignition timing matches the timing advance commanded by the XFI™. If necessary, make slight adjustments with the distributor to correct this.

Note: Be sure to verify that the distributor gear you are using is compatible with your cam gear. You can purchase the revolutionary COMP Cams® composite distributor gears and bronze distributor gears from FAST™.

Bronze Gear - Part # 431, Part #438^{‡§}
Composite Gear # 35200

[‡] Bronze Gear Part #438 is recommended for the Ford 302 and Ford 351W

[§] The distributor shaft will need to be drilled out for the larger drive pin on Part #438
3400 Democrat Rd.

Memphis, TN 38118

Phone: (901) 260-3278 Fax: (901) 375-3408

www.fuelairspark.com

**FAST™
LIMITED LIFETIME WARRANTY AND LIMITED WARRANTY**

FAST™ warrants that its EZ-EFI™ products are free from defects in material and workmanship for the lifetime of the product. This **Limited Lifetime Warranty** shall cover **only** the original purchaser. All other FAST™ products are covered by a **Limited Warranty** which covers defects in material and workmanship for a period of **one year** from the date of purchase.

FAST's obligation under this warranty is limited to the repair or replacement of its product. To make a warranty claim, the part must be returned directly to FAST™ at the address listed below with a valid Return Merchant Authorization Number (RMA), freight prepaid. Items covered under warranty will be returned to you freight collect. To obtain an RMA, call 877-334-8355 to report the issue you are experiencing. At that time, FAST™ will attempt to trouble shoot your issue.

It is the responsibility of the installer to ensure that all of the components are correct before installation. We assume no liability for any errors made in tolerances, component selection or installation.

There is absolutely no warranty on the following:

- A. Any parts used in racing applications or subject to excessive wear;**
- B. Any product used in marine applications, unless that product is listed by FAST™ as a specific marine product;**
- C. Any product that has been physically altered improperly installed or maintained;**
- D. Any product used in improper applications, abused, or not used in conjunction with the proper parts.**

There are no implied warranties of merchantability or fitness for a particular purpose. There are no warranties which extend beyond the description of the face hereof. **FAST™ will not be responsible for incidental and consequential damages, property damage or personal injury damages.** Where required by law, implied warranties or merchantability and fitness are limited to terms outline above.

This warranty gives you specific legal rights and you may also have other legal rights which vary from state to state.



FAST™
3400 Democrat Rd.
Memphis, TN 38118
Phone: (901) 260-3278 Fax: (901) 375-3408
www.fuelairspark.com

**Part #FAST4-116
Revised 1/14/2014**